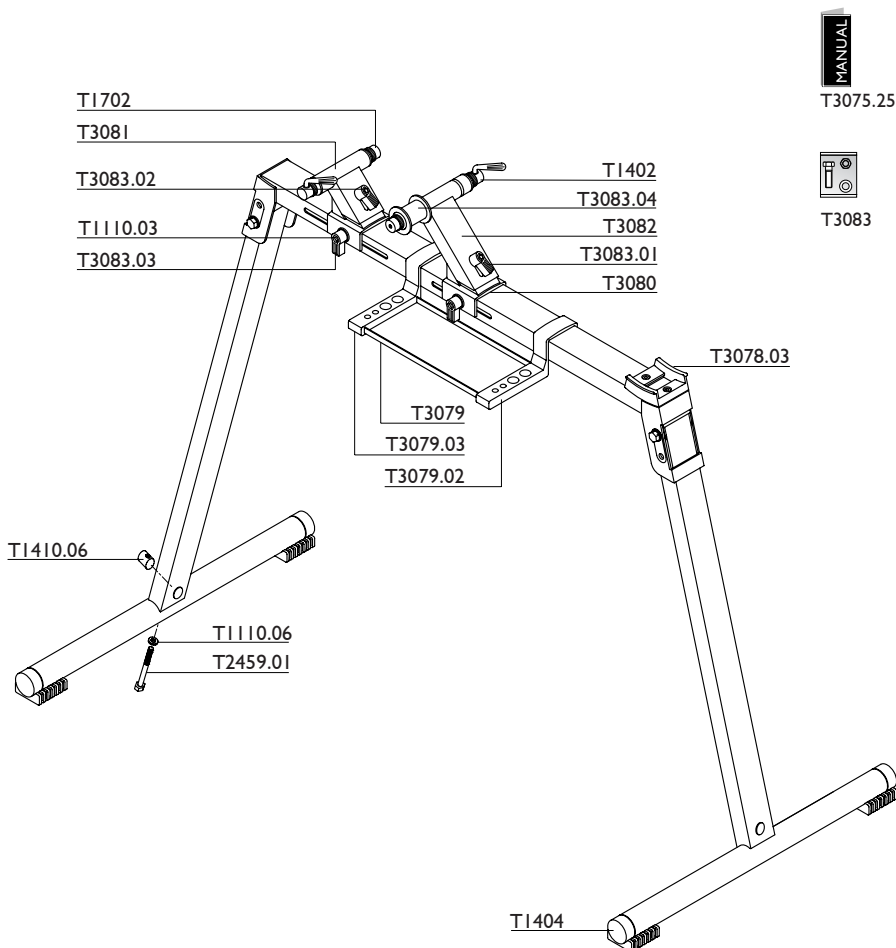


Tacx

T3075 Cycle Motion Stand



Spare Parts

T1110.06	Washer, M8
T1402	Quick Release, rear wheel
T1404	Rubber foot
T1410.06	Spacer, M8
T1702	Quick release, frontwheel
T2459.01	Bolt, M8 x 65
T3075.25	Manual CycleMotion Stand
T3078.03	Bottom bracket support
T3079	Tool tray complete
T3079.02	Support, right
T3079.03	Support, left
T3080	Clamp piece
T3081	Frontframe holder
T3082	Rearframe holder
T3083	Fitting kit CycleMotion Stand
T3083.01	Wing-knob, M6 (blue)
T3083.02	Mushroom head bolt, M6 x 20
T3083.03	Mushroom head bolt, M6 x 75
T3083.04	Chain-rol

Packaging

T3075	83 x 19 x 14 cm	9,34 kg
--------------	-----------------	---------